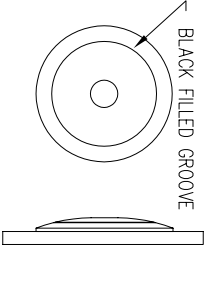
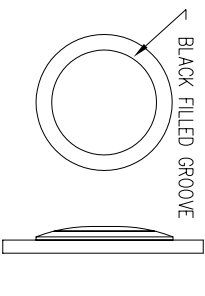
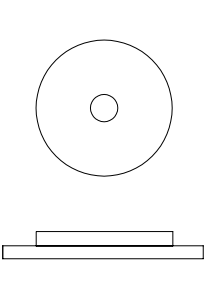
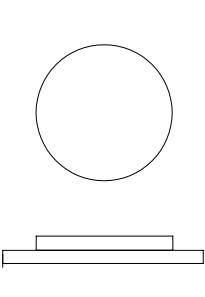
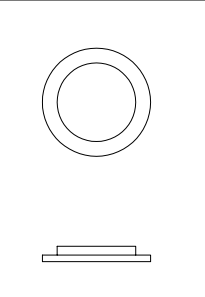
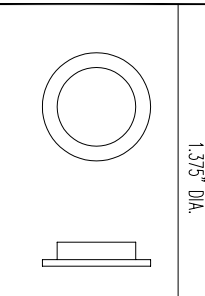
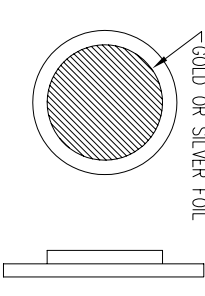
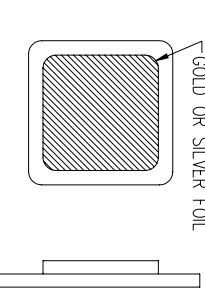
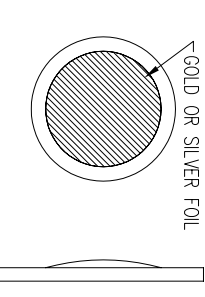
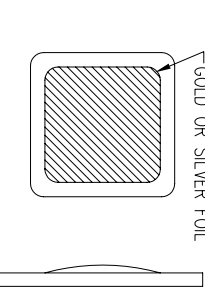


PUSHBUTTONS

PB25	BRUSER BUTTON, DOMED ILLUMINATED, 1.312" DIA.	PB26	BRUSER BUTTON, DOMED NON-ILLUMINATED, 1.312" DIA.	PB27	BRUSER BUTTON, CALIF. ILLUMINATED, 1.312" DIA.	PB28	BRUSER BUTTON, CALIF. NON-ILLUMINATED, 1.312" DIA.	PB29	ROUND WHITE HALO, METAL DISC INSERT 1.375" DIA.	PB30	ROUND WHITE HALO, METAL DISC INSERT COMPLES WITH CALIFORNIA ACCESSIBILITY CODES 1.375" DIA.
 <p>BLACK FILLED GROOVE</p>		 <p>BLACK FILLED GROOVE</p>									
PB31	PREMIER, ROUND PROJECTING, CALIF. ILLUMINATING, 1.375" DIA.	PB32	PREMIER, SQUARE PROJECTING, CALIF. ILLUMINATING	PB33	PREMIER, ROUND FLUSH, ILLUMINATING, 1.375" DIA.	PB34	PREMIER, SQUARE FLUSH, ILLUMINATING				
 <p>GOLD OR SILVER FOIL</p>		 <p>GOLD OR SILVER FOIL</p>		 <p>GOLD OR SILVER FOIL</p>		 <p>GOLD OR SILVER FOIL</p>					

INNOVATION
INDUSTRIES INC
 P.O. BOX 2996
 RUSSELLVILLE, AR 72811
 U.S.A.