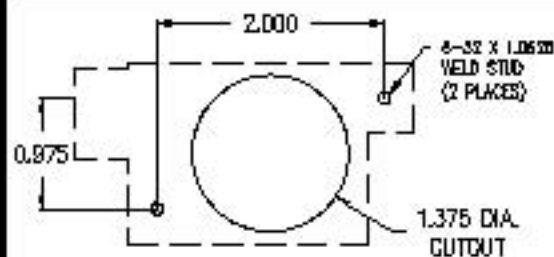
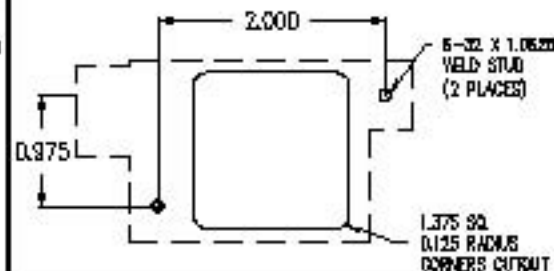


MULTI-VOLT I-LINE PUSHBUTTON CUTOUTS AND STUD PATTERNS

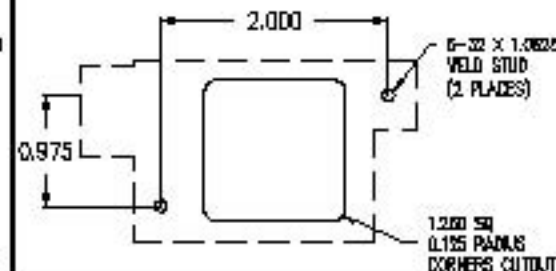
PB1, PB2, PB3, PB11, PB12, PB13, PB14,
PB15, PB19, PB20, PB21, PB29, PB30,
PB31, PB33



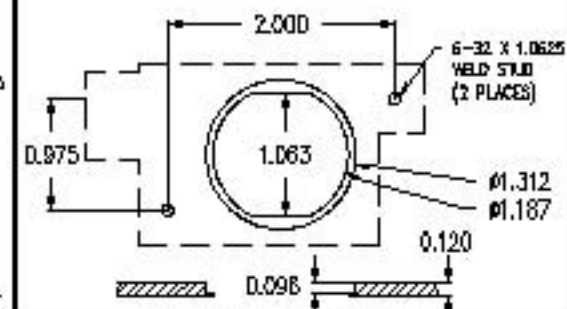
PB4, PB5, PB6, PB22, PB32, PB34



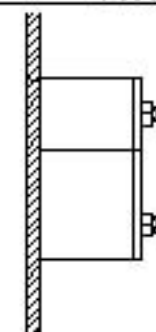
PB16, PB17, PB18



PB23, PB24, PB25, PB26, PB27, PB28



TYPICAL SIDE VIEW



NOTE:
BOX MUST BE AT LEAST 1.125 DEEP.

NOTE:
PB23, PB24, PB25, PB26, PB27, AND PB28 MOUNTING IS ONLY AS SHOWN.
ALL OTHER STUD PATTERNS CAN BE ROTATED 90° FOR VERTICAL MOUNTING.

**INNOVATION
INDUSTRIES INC**

P.O. BOX 8888
RUGBELLVILLE, AR 72811
U.S.A.