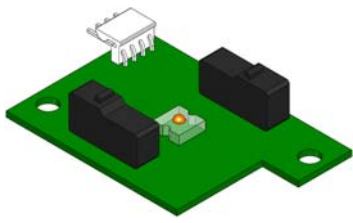




Circuit Boards (*S-Button Type*)



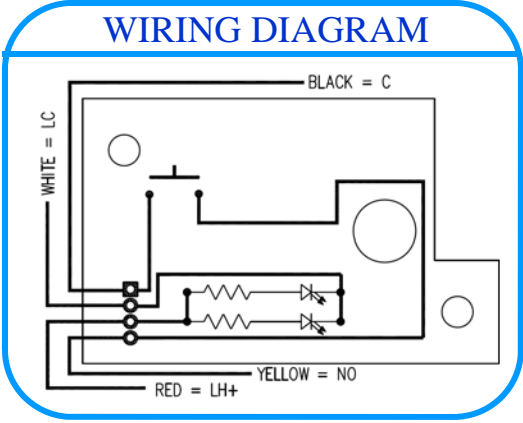
4 Pin Board Number 59413316 - XYZ



4 - 24 V
5 - 12 V
6 - 6V
0 - Non-Illuminated

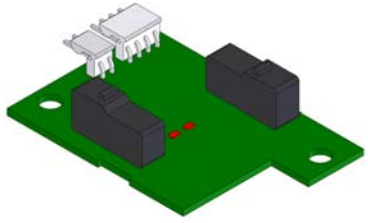
A - Amber
B - Blue
G - Green
W - White
R - Red
N - Non-Illuminated

1 - Pushbutton
2 - Non-Illuminated Pushbutton
3 - Indicator



4/ 2 Connector Board Number 59413315 - XY

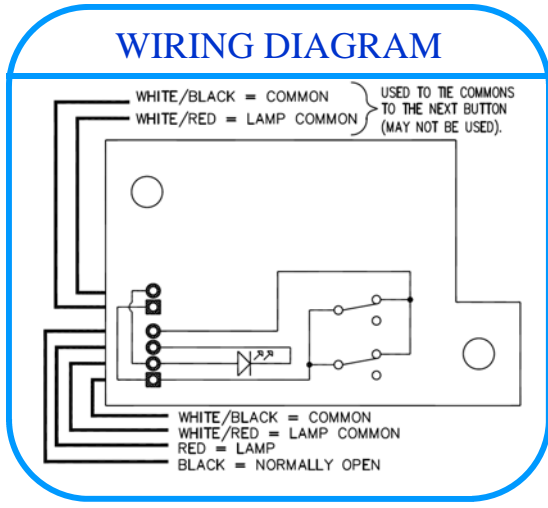
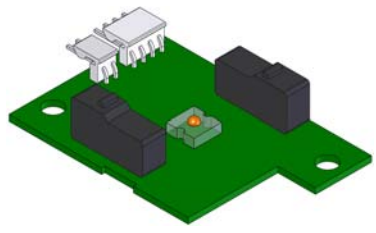
Current Version



A - Amber
B - Blue
G - Green
W - White
R - Red
N - Non-Illuminated

1 - Pushbutton 16-120V
2 - Non Illuminated
3 - Indicator 16-120V
4 - Pushbutton 6-15V

Previous Version



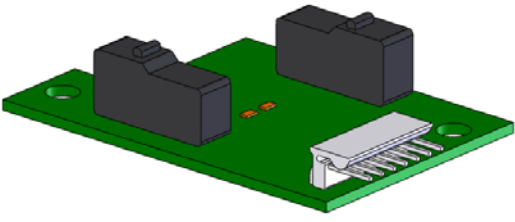
For Indicators, disregard contacts on Wiring Diagram.



Circuit Boards (*S-Button Type*)



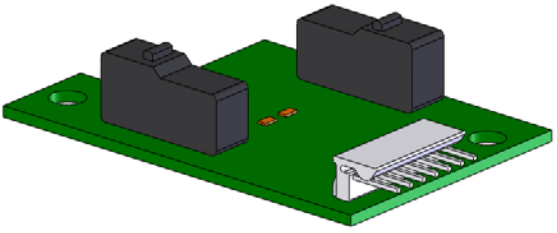
7 Wire Board Number 59413320 - YZ



- A - Amber
- B - Blue
- G - Green
- W - White
- R - Red
- N - Non-Illuminated

- 1 - 16-120V
- 2 - Non - Illuminated
- 3 - Indicator
- 4 - 6-15V

7 Wire Board Number 59413530 - XYZ



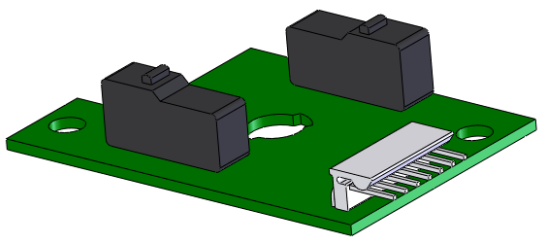
- 1 - 16-120V

- A - Amber
- B - Blue
- G - Green
- W - White
- R - Red

- 1 - Pushbutton
- 3 - Indicator

7 Wire Board Number 59413332 - XYZ

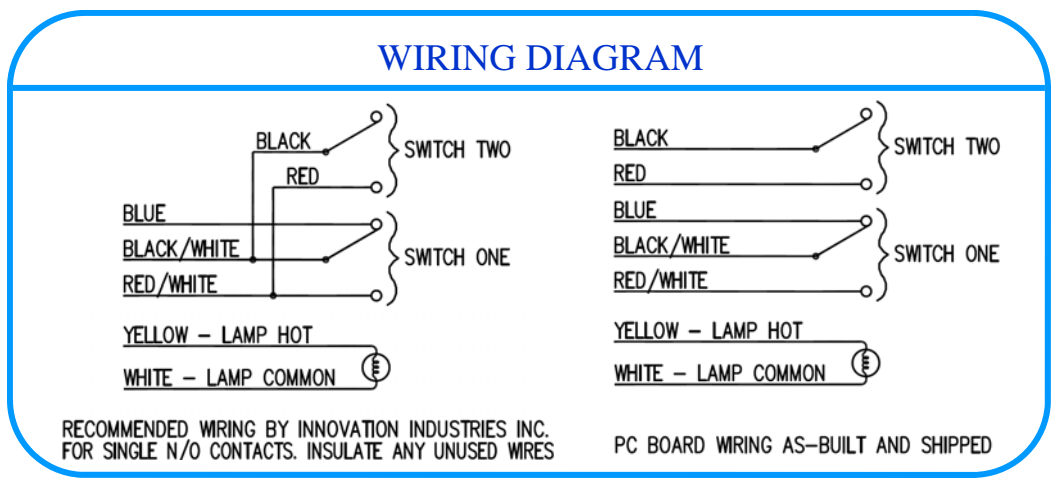
Please see Page 51 for lamps.



- 1 - 120V
- 4 - 24V

- I - Incandescent
- L - LED

- 1 - Pushbutton



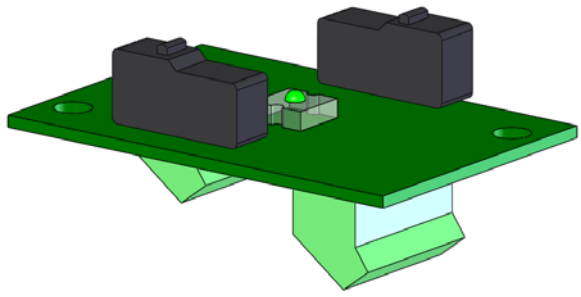
For Indicators, disregard contacts on Wiring Diagram.



Circuit Boards (*S-Button Type*)



Terminal Block Board Number 59413314 - XYZ

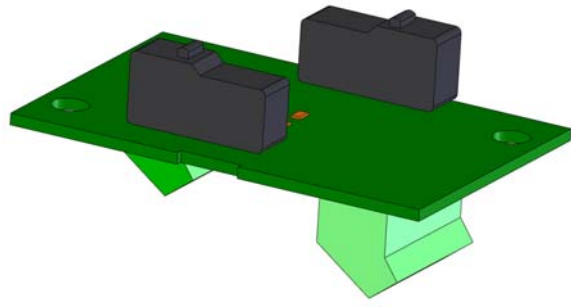


- 1 - 120V
- 4 - 24V
- 5 - 12V
- 6 - 6V
- 7 - 2V

- A - Amber
- B - Blue
- G - Green
- W - White
- R - Red

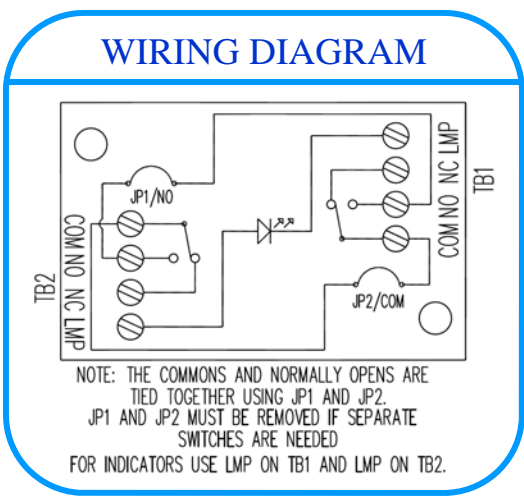
- 1 - Pushbutton
- 3 - Indicator

Terminal Block Board Number 59413188 - XZ



- A - Amber
- B - Blue
- G - Green
- W - White
- R - Red
- N - Non-Illuminated

- 1 - Pushbutton 16-120V
- 2 - Non-Illuminated
- 3 - Indicator 16-120V
- 4 - Pushbutton 6-15V



For Indicators, disregard contacts on Wiring Diagram.



Circuit Boards (*Bar Button*)



4/2 Connector Board Number 59413101 - 1X

5" Bar Button, 16-120V AC/DC

4/2 Connector Board Number 59413309 - 1X

5" Bar Button with Optional Backlit Illumination,
16-120V AC/DC

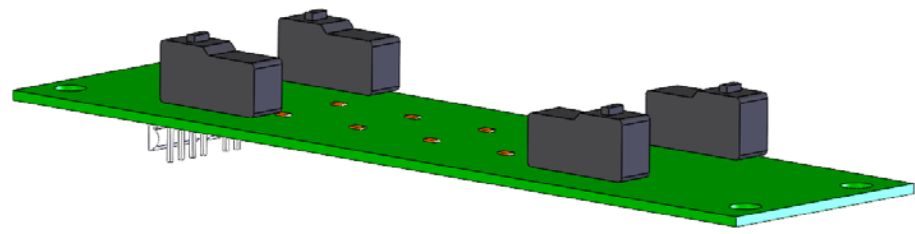
4/2 Connector Board Number 59413097 - 1X

4" Bar Button, 16-120V AC/DC

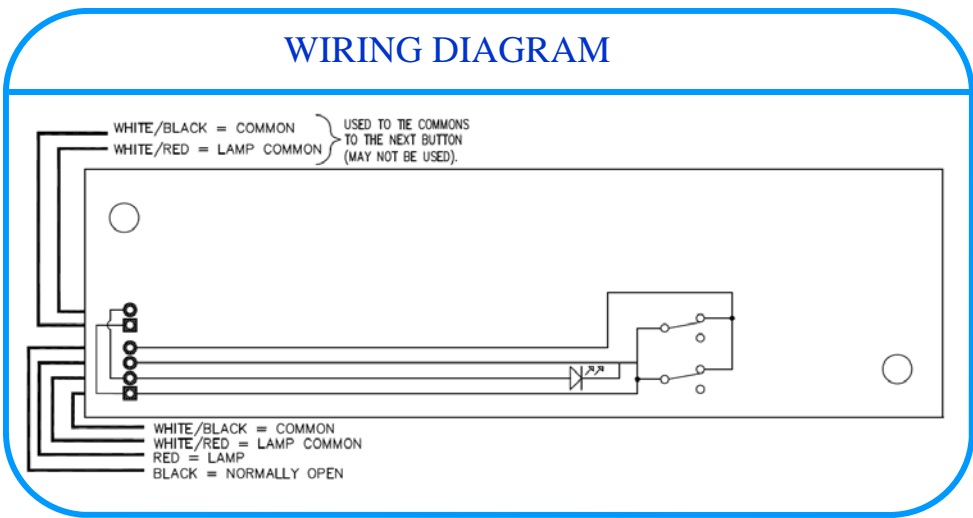
4/2 Connector Board Number 594133310 - 1X

4" Bar Button, with Optional Backlit Illumination
16-120V AC/DC

- A - Amber
- B - Blue
- G - Green
- W - White
- R - Red



WIRING DIAGRAM





Circuit Boards (*Bar Button*)



Terminal Block Board Number 59413101 - 2X

5" Bar Button, 16-120V AC/DC

- A - Amber
- B - Blue
- G - Green
- W - White
- R - Red
- N - Non-Illuminated

Terminal Block Board Number 59413309 - 2X

5" Bar Button with Optional Backlit Illumination,
16-120V AC/DC

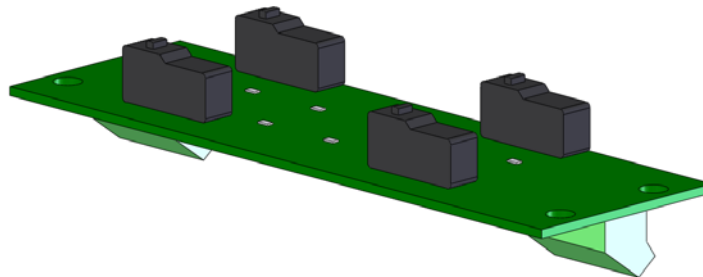
Terminal Block Board Number 59413097 - 2X

4" Bar Button, 16-120V AC/DC

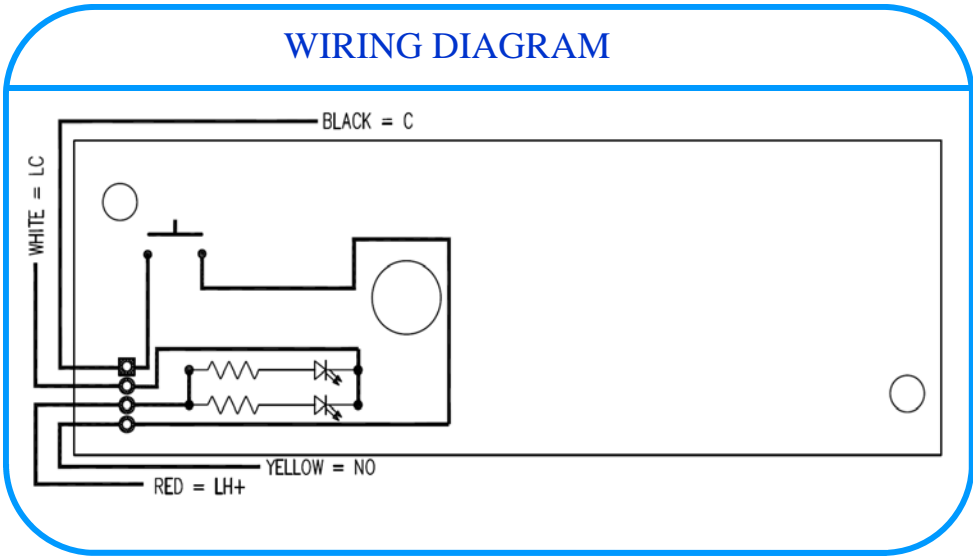
- A - Amber
- B - Blue
- G - Green
- W - White
- R - Red

Terminal Block Board Number 59413310 - 2X

4" Bar Button with Optional Backlit Illumination,
16-120V AC/DC



WIRING DIAGRAM

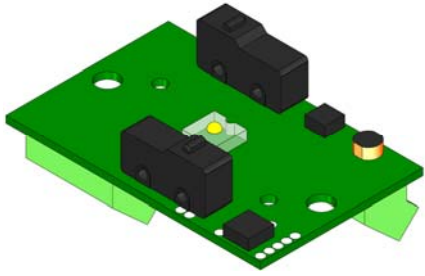




Circuit Board (*Micro Touch Type*)



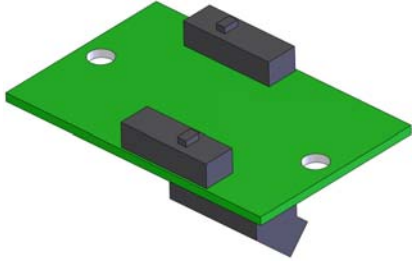
Pushbutton Board Number 5941S1 XXXX Y



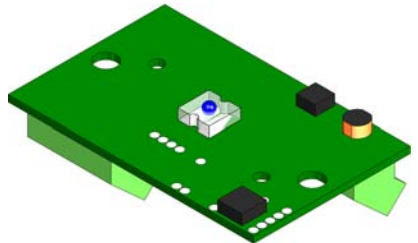
- A - Amber
- B - Blue
- G - Green
- W - White
- R - Red

- 0064 - 6-15 V
- 0024 - 2V
- CCV4 - 16-120 V

Pushbutton Board Number 5941S2 CCV4 N : Non Illuminated

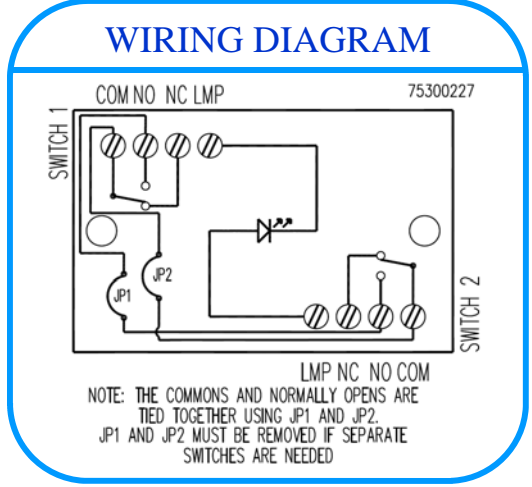


Indicator Board Number 5941S3 XXXX Y



- A - Amber
- B - Blue
- G - Green
- W - White
- R - Red

- CCV4 - 16-120 V



For Indicators, disregard contacts on Wiring Diagram.